



POLY Solar PV Modules

VIP-315|320|325|330Wp

Vipson Solar's modules use the latest innovative cell technology, increasing module power output and system reliability, ensured by 15 years of experience in module manufacturing, well-engineered module design, stringent BOM quality testing, an automated manufacturing process and 100% EL testing.

25
Years

Linear power output warranty

10
Years

Product warranty on materials
and workmanship

KEY FEATURES



Excellent module efficiency of up to 16.97 %



Cell efficiency of up to 20.0 %



Outstanding low irradiance performance: 96.0 %



IP67 junction box for long-term weather endurance



Heavy snow load up to 5400 Pa, wind load up to 2400 Pa

MANAGEMENT SYSTEM CERTIFICATES*

ISO 9001:2008 / Quality management system

ISO/TS 16949:2009 / The automotive industry quality management system

ISO 14001:2004 / Standards for environmental management system

OHSAS 18001:2007 / International standards for occupational health & safety

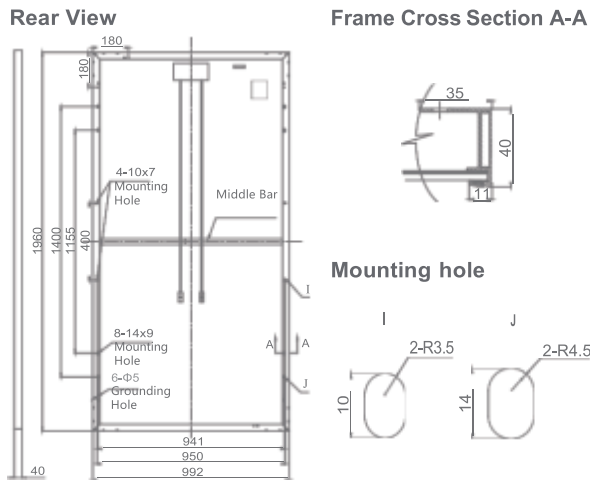
PRODUCT CERTIFICATES*



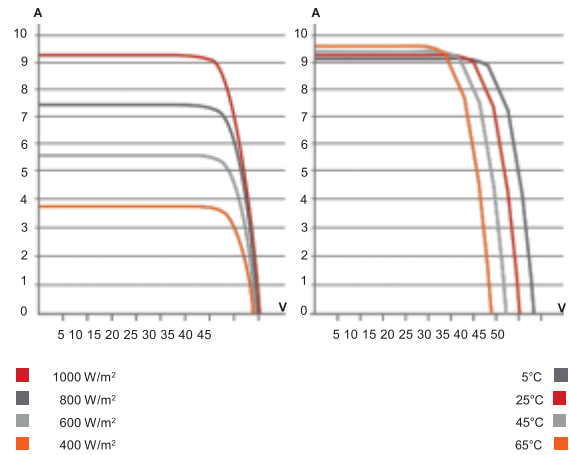
* As there are different certification requirements in different markets, please contact your local Vipson Solar sales representative for the specific certificates applicable to the products in the region in which the products are to be used.

VIPSON SOLAR is committed to providing high quality solar products, solar system solution and services to customers around the world. As a leading PV projects developer and manufacturer of solar modules with vast quantity deployed around the world.

ENGINEERING DRAWING (MM)



VIP-320P /I-V CURVES



ELECTRICAL DATA / STC*

VIP	315 P	320 P	325 P	330 P
Nominal Max. Power (Pmax)	315 W	320 W	325 W	330 W
Opt. Operating Voltage (Vmp)	36.6 V	36.8 V	37.0 V	37.2 V
Opt. Operating Current (Imp)	8.61 A	8.69 A	8.78 A	8.88 A
Open Circuit Voltage (Voc)	45.1 V	45.3 V	45.5 V	45.6 V
Short Circuit Current (Isc)	9.18 A	9.26 A	9.34 A	9.45 A
Module Efficiency	16.20%	16.46%	16.72%	16.97%
Operating Temperature	-40°C ~ +85°C			
Max. System Voltage	1000V (IEC) or 1000V (UL)			
Module Fire Performance	TYPE 1 (UL 1703) or CLASS C (IEC 61730)			
Max. Series Fuse Rating	15 A			
Application Classification	Class A			
Power Tolerance	0 ~ + 5 W			

* Under Standard Test Conditions (STC) of irradiance of 1000 W/m², spectrum AM 1.5 and cell temperature of 25°C.

ELECTRICAL DATA / NOCT*

VIP	315 P	320 P	325 P	330 P
Nominal Max. Power (Pmax)	228 W	232 W	236 W	239 W
Opt. Operating Voltage (Vmp)	33.4 V	33.6 V	33.7 V	33.9 V
Opt. Operating Current (Imp)	6.84 A	6.91 A	6.98 A	7.05 A
Open Circuit Voltage (Voc)	41.5 V	41.6 V	41.8 V	41.9 V
Short Circuit Current (Isc)	7.44 A	7.50 A	7.57 A	7.66 A

* Under Nominal Operating Cell Temperature (NOCT), irradiance of 800 W/m², spectrum AM 1.5, ambient temperature 20°C, wind speed 1 m/s.

PERFORMANCE AT LOW IRRADIANCE

Outstanding performance at low irradiance, average relative efficiency of 96.0 % from an irradiance of 1000 W/m² to 200 W/m² (AM 1.5, 25°C).

MECHANICAL DATA

Specification	Data
Cell Type	Poly-crystalline, 6 inch
Cell Arrangement	72 (6 × 12)
Dimensions	1960 × 992 × 40 mm (77.2 × 39.1 × 1.57 in)
Weight	22.4 kg (49.4 lbs)
Front Cover	3.2 mm tempered glass
Frame Material	Anodized aluminium alloy
J-Box	IP67, 3 diodes
Cable	4 mm ² (IEC) or 4 mm ² & 12 AWG 1000V (UL), 1160 mm (45.7 in)
Connector	T4-1000V or PV2 series
Per Pallet	26 pieces
Per container (40' HQ)	572 pieces

TEMPERATURE CHARACTERISTICS

Specification	Data
Temperature Coefficient (Pmax)	-0.41 % / °C
Temperature Coefficient (Voc)	-0.31 % / °C
Temperature Coefficient (Isc)	0.053 % / °C
Nominal Operating Cell Temperature	45 ± 2 °C

The specification and key features described in this datasheet may deviate slightly and are not guaranteed. Due to on-going innovation, research and product enhancement, Vipson Solar. reserves the right to make any adjustment to the information described here in at any time without notice. Please always obtain the most recent version of the datasheet which shall be duly incorporated into the binding contract made by the parties governing all transactions related to the purchase and sale of the products described herein.

Caution: For professional use only. The installation and handling of PV modules requires professional skills and should only be performed by qualified professionals. Please read the safety and installation instructions before using the modules.

VIPSON SOLAR ENERGY PRIVATE LIMITED
Manufacturing (UNIT - 1)
Shivnagar, Village : AJARPURA - 388310
(Samarkha Crossing to Ajarpura Road)
ANAND, GUJARAT - INDIA.
Web : www.vipson.org
Mail : sales@vipson.org

VIPSON SOLAR ENERGY PRIVATE LIMITED
Corporate Office (UNIT - 2)
Plot No : 33 GIDC, H. M. Road.
Vitthal Udyog Nagar – 388121
ANAND, GUJARAT – INDIA.
Telephone No : +91 2692 232979 / +91 2692 233979
Web : www.vipson.org / Mail : sales@vipson.org

VIPSON SOLAR ENERGY LLC
(USA OFFICE)
8 Marchesi Drive, Lawrenceville - 08648
New jersey – USA.
Contact : +1 (609) 558 - 4122
Web : www.vipson.org
Mail : sales@vipson.org

SAVE ENERGY, SAVE FUEL AND HELP WORLD WITH VIPSON